



009

STEP FLYER EVALUATION TEST

STANDARD 6 - YEAR 2022

MATHEMATICS

6

Time: 2 hours

READ THESE INSTRUCTIONS CAREFULLY

- You have been given this question paper and a separate answer sheet. The question paper contains 50 questions.
- Make sure that you have written on the answer sheet.

(i) Your name

(ii) Name of your school

1. What is the three hundred and three thousand and eighty in symbols?

A. 303 008
B. 333 080
C. 303 080
D. 303 808

2. What is the total value of digit 5 in 10.756?

A. 0.05 B. 0.5
C. 0.005 D. 10.05

3. Round off 129 to the nearest hundreds.

A. 130 B. 120
C. 200 D. 100

4. What is the reciprocal of $3\frac{1}{6}$?

A. $\frac{6}{11}$ B. $\frac{6}{19}$
C. $6\frac{1}{3}$ D. $1\frac{3}{6}$

5. Which one of the following number is NOT divisible by 8?

A. 3664
B. 39968
C. 44376
D. 5308

6. Find the square root of 289.

A. 19 B. 23
C. 17 D. 27

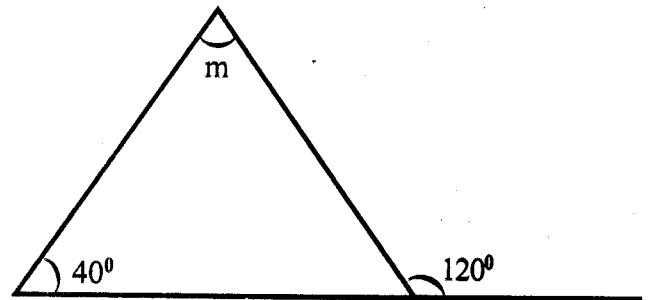
7. Find the LCM of 56, 48 and 20.

A. 1680 B. 840
C. 3360 D. 1460

8. Subtract $\frac{7}{18}$ and $\frac{1}{3}$ from $\frac{8}{9}$.

A. $\frac{3}{18}$ B. $\frac{1}{6}$
C. 0 D. $\frac{1}{30}$

9. Find the size of the angle marked "m" in the figure below.



A. 60° B. 140°
C. 80° D. 30°

10. What is the next number in the pattern below?

2, 3, 5, 7, _____

A. 9 B. 11
C. 10 D. 13

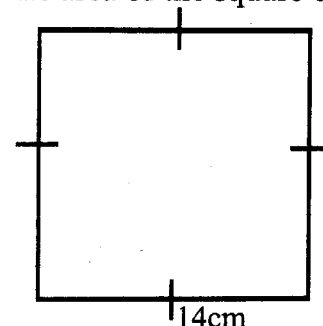
11. Work out: $15\frac{1}{3}$ of $\frac{3}{4}$

A. 24 B. $2\frac{1}{11}$
C. $\frac{2}{23}$ D. $11\frac{1}{2}$

12. Convert 7.5% to a simple fraction.

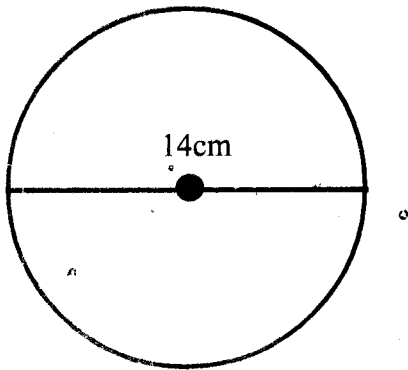
A. $\frac{3}{4}$ B. $\frac{3}{40}$
C. $\frac{17}{100}$ D. $\frac{2}{3}$

13. Find the area of the square below.



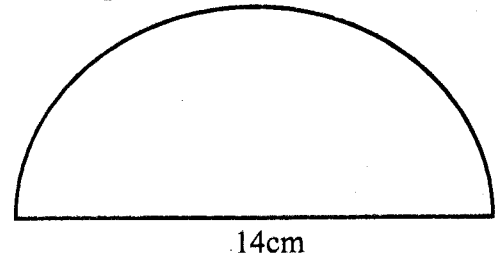
A. 169 cm^2 B. 144 cm^2
C. 196 cm^2 D. 252 cm^2

14. Convert 0.019 to a simple fraction.
 A. $\frac{19}{10}$ B. $\frac{19}{100}$
 C. $\frac{19}{1000}$ D. $\frac{19}{10000}$
15. What is the sum of the first four multiples of 4?
 A. 40 B. 36
 C. 56 D. 60
16. Arrange the fractions $\frac{3}{5}$, $\frac{1}{2}$ and $\frac{1}{3}$ from the largest to the smallest?
 A. $\frac{3}{5}$, $\frac{1}{2}$, $\frac{1}{3}$
 B. $\frac{1}{3}$, $\frac{1}{2}$, $\frac{3}{5}$
 C. $\frac{1}{2}$, $\frac{1}{3}$, $\frac{3}{5}$
 D. $\frac{3}{5}$, $\frac{1}{3}$, $\frac{1}{2}$
17. Find the circumference of the figure below.
 (Take $\pi = \frac{22}{7}$)

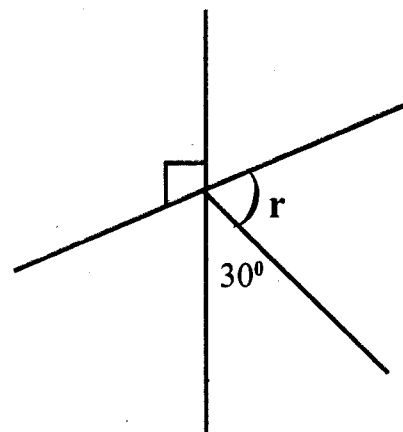


- A. 44 cm B. 22 cm
 C. 88 cm D. 44 cm
18. Find the square of $5\frac{3}{4}$?
 A. $33\frac{1}{16}$ B. $\frac{16}{23}$
 C. $\frac{23}{16}$ D. 33
19. Work out: $6(\frac{1}{2}w + 1) + 5(2w + 2)$
 A. $3w - 16$
 B. $13w + 16$
 C. $10w + 16$
 D. $12w + 16$
20. How many days were there in the months of February, March and April of 2015?
 A. 89 B. 88
 C. 91 D. 90

21. Find the perimeter of the semi-circle below.



- A. 90 cm B. 22 cm
 C. 36 cm D. 44 cm
22. Work out: $4.12 - 6 + 9.77$
 A. 0.35 B. 7.35
 C. 8.89 D. 7.89
23. Work out: $810180 \div 9 =$
 A. 92 B. 902
 C. 9020 D. 90020
24. Express $\frac{3}{8}$ as a percentage.
 A. 38% B. 37.5%
 C. 25% D. 3.75%
25. Round off 69.9987 correct to 2 decimal places.
 A. 70 B. 69.99
 C. 70.00 D. 69.00
26. Karim earns sh. 4500. If she saves 20%. How much does he spend?
 A. sh. 1800 B. sh. 600
 C. sh. 900 D. sh. 3600
27. Find the value of angle marked "r" in the figure below.



- A. 30° B. 90°
 C. 60° D. 180°

28. A tailor has pieces of material measuring 4.674m, 9.3m, 0.85m and 7.92m. What is the total length of all the materials?

- A. 22.744 m
- B. 37.324 m
- C. 66.44m
- D. 143.74 m

29. If 85% of a certain number is 2720. What is the number?

- A. 5920
- B. 3200
- C. 3600
- D. 2300

30. Find the supplement of $65\frac{1}{2}^\circ$.

- A. $115\frac{1}{2}^\circ$
- B. $114\frac{1}{5}^\circ$
- C. $25\frac{1}{2}^\circ$
- D. $24\frac{1}{2}^\circ$

31. A shopkeeper bought three bags of rice 50kg each. He packed all rice into $\frac{1}{4}$ kg packets. How many packets did he obtain?

- A. 200
- B. 800
- C. $37\frac{1}{2}$
- D. 600

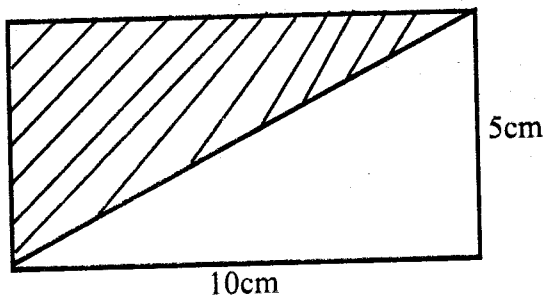
32. Add $7\frac{1}{9} + 3\frac{1}{3} + 9\frac{1}{6}$

- A. $191\frac{1}{2}$
- B. $20\frac{1}{18}$
- C. $19\frac{11}{18}$
- D. $19\frac{18}{19}$

33. Work out the reciprocal of $\frac{3}{4}$?

- A. $\frac{4}{5}$
- B. $1\frac{1}{3}$
- C. $2\frac{1}{2}$
- D. $2\frac{1}{3}$

34. Find the area of the unshaded part.



- A. 50 cm^2
- B. 25 cm^2
- C. 15 cm^2
- D. 100 cm^2

35. A square piece of land has an area of 289m^2 . Find its perimeter.

- A. 17 m
- B. 51m
- C. 34 m
- D. 68 m

36. In 2014 a farmer harvested 183654kg of maize in the year 2015 he harvested 264907 kg. How many more kilograms of maize were harvested in 2015 than 2014?

- A. 448561
- B. 81353
- C. 80353
- D. 81253

37. Solve $4\frac{4}{5} \div \frac{8}{15}$.

- A. 9
- B. $\frac{1}{9}$
- C. $2\frac{42}{75}$
- D. $\frac{3}{5}$

38. Alice has $\frac{2}{5}$ L of milk in a bottle. She cooked $\frac{1}{4}$ L of the milk. How much milk remained?

- A. $\frac{2}{5}$
- B. $\frac{1}{4}$
- C. $\frac{3}{20}$
- D. $\frac{7}{20}$

39. What is the value of X in the equation.

$$3x + 5 - 2x = 20$$

- A. 5
- B. 6
- C. 15
- D. 2

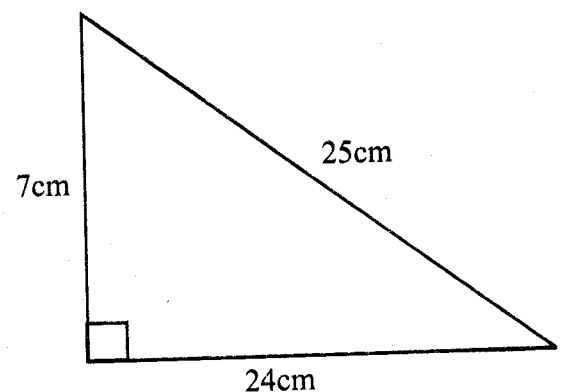
40. Below is a magic square. What is the value of Y and X respectively?

x	1	6
	y	7
4		2

X Y

- A. 9 4
- B. 4 9
- C. 8 5
- D. 5 8

41. Calculate the area of the triangle below.

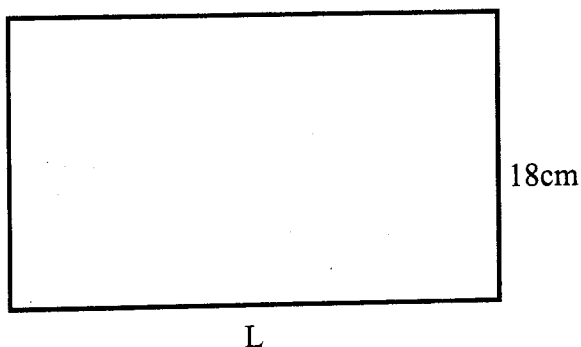


- A. 84 cm^2
- B. 168 cm^2
- C. 30 cm^2
- D. 56 cm^2

The table shows the number of pupils absent in a class of 40 pupils. Use it to answer question 42 and 43.

Days	Mon	Tues	Wed	Thu	Fri
Boys	4	2	5	3	7
Girls	5	1	6	3	2

42. Which day recorded the lowest number of present pupils?
 A. Tuesday B. Wednesday
 C. Friday D. Monday
43. Which day had the highest number of pupils present?
 A. Tuesday B. Wednesday
 C. Monday D. Friday
44. Work out:
- | | | |
|----|----|----|
| L | Dl | Ml |
| 12 | 5 | 15 |
| x | | 8 |
| | | |
| | | |
- A. 97L 1dl 20ml
 B. 90L 1dl 20ml
 C. 96L 40dl 20ml
 D. 100L 1dl 20ml
45. What is the product of 6.308 and 2.6 rounded off to 2 decimal places?
 A. 16.4008 B. 16.41
 C. 16.00 D. 16.40
46. The perimeter of the rectangle below is 82cm. The width is 18 cm. Find the length.



- A. 41 cm B. 23 cm
 C. 64 cm D. 32 cm
47. Anthony bought the following items from a shop:
2 kg of sugar at sh. 110
a bottle of water for sh. 60
1½ kg of rice at sh. 60
3 loaves of bread for sh. 120
 How much did he pay for all the items bought?
 A. sh. 720
 B. sh. 590
 C. sh. 490
 D. sh. 360
48. Write the prime factorization of 64?
 A. 8 x 8
 B. 4 x 4 x 2 x 2
 C. 2 x 2 x 2 x 2 x 2 x 2
 D. 2 x 2 x 3 x 2 x 2
49. Three bells ring at interval of 6 min 8 min and 10 min. After how long did the three bells ring together again?
 A. 90 min
 B. 2 hours
 C. 40 min
 D. 120 hours
50. A bus left Nairobi for Thika at 2145 hours and took 45 min. At what time did the bus reach Thika?
 A. 10:30 pm
 B. 10.45 pm
 C. 10:30 am
 D. 10:90 am