

445/2
METALWORK
Paper 2
(PROJECT)
May - October 2022



THE KENYA NATIONAL EXAMINATIONS COUNCIL
Kenya Certificate of Secondary Education
METALWORK
Paper 2
(PROJECT)

INSTRUCTIONS TO CANDIDATES

Using the materials provided, fabricate the TISSUE PAPER HOLDER as shown in the working drawings.

NOTES:

- (a) All dimensions are in millimetres unless otherwise stated.
- (b) General tolerance ± 0.2 mm unless otherwise stated.
- (c) Use your discretion to determine the dimensions not shown.

Punch the last three digits of your index number on the base of the holder.

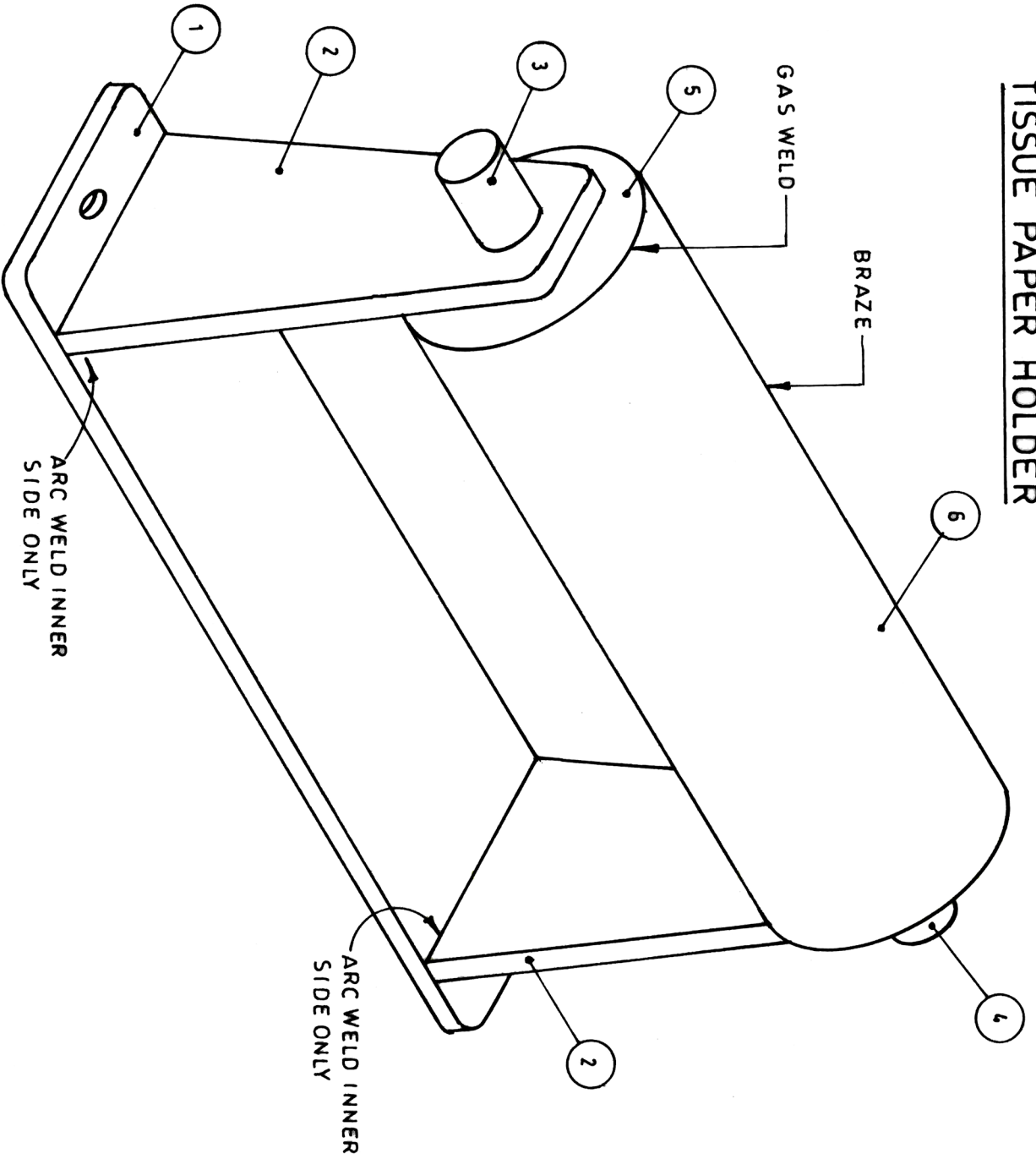
This paper consists of 5 printed pages.

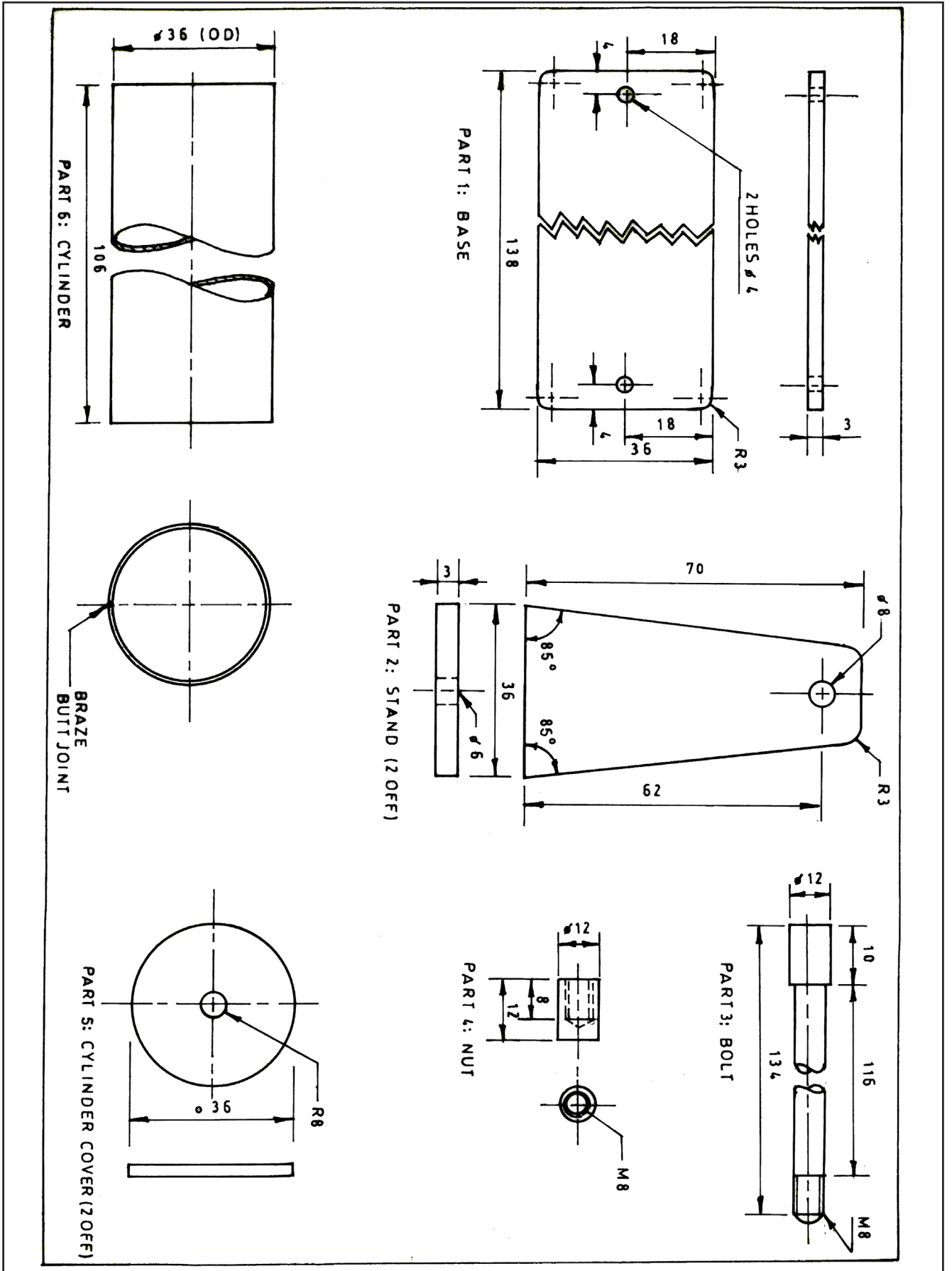
© 2022 The Kenya National Examinations Council

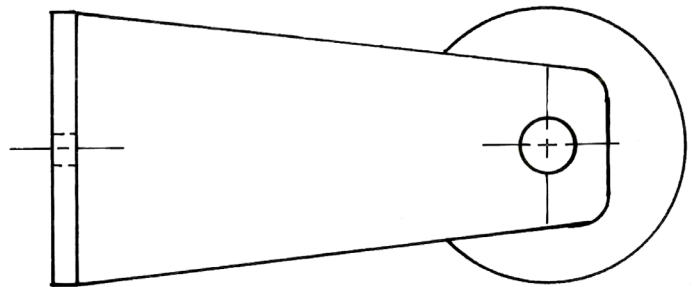
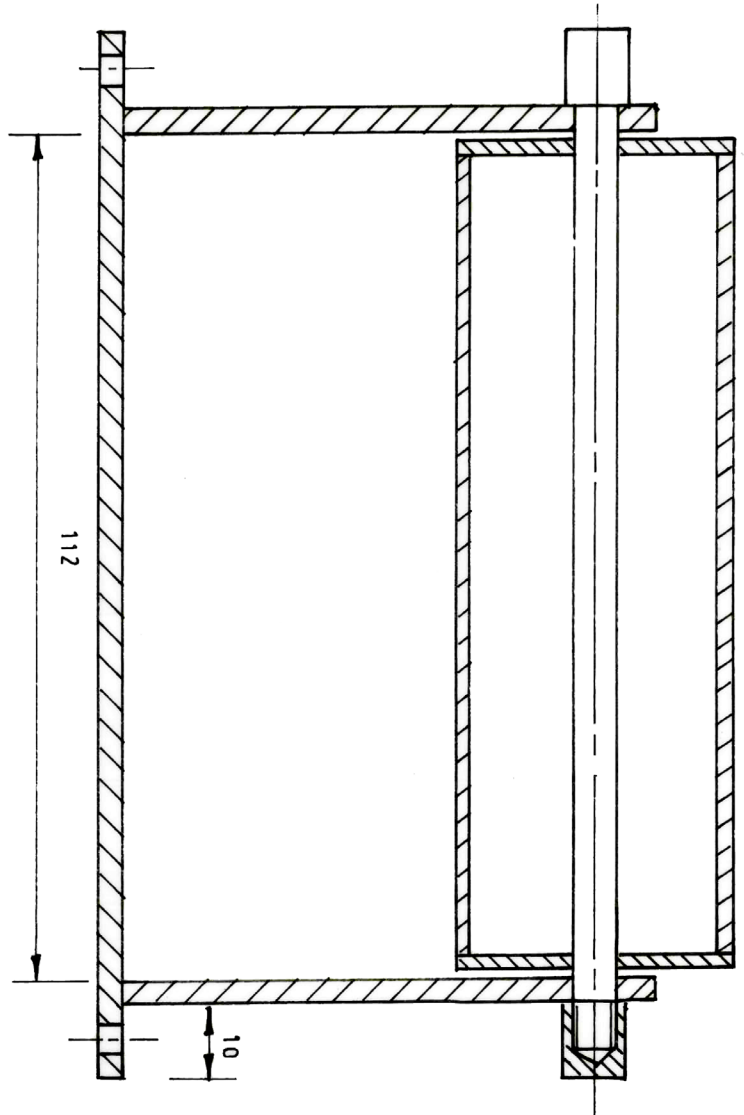
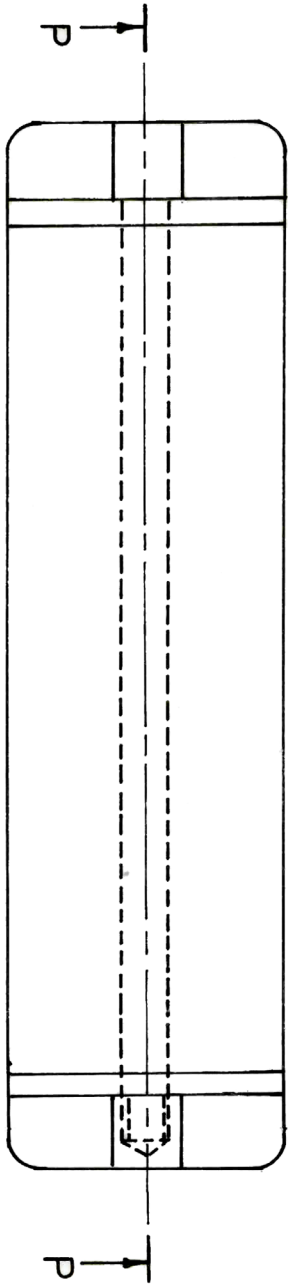
TISSUE PAPER HOLDER**CUTTING LIST**

PART No.	DESCRIPTION	CUTTING SIZE	MATERIAL	No. OFF
1	BASE	142 x 38 x 3	M.S BAR	1
2	STAND	75 x 38 x 3	M.S BAR	2
3	BOLT	Ø 15 x 140	M. S ROD	1
4	NUT	Ø 15 x 20	M. S ROD	1
5	CYLINDER COVER	40 x 40	M.S SHEET (G18)	2
6	CYLINDER	120 x 115	M.S SHEET (G18)	1

TISSUE PAPER HOLDER







THIS IS THE LAST PRINTED PAGE.