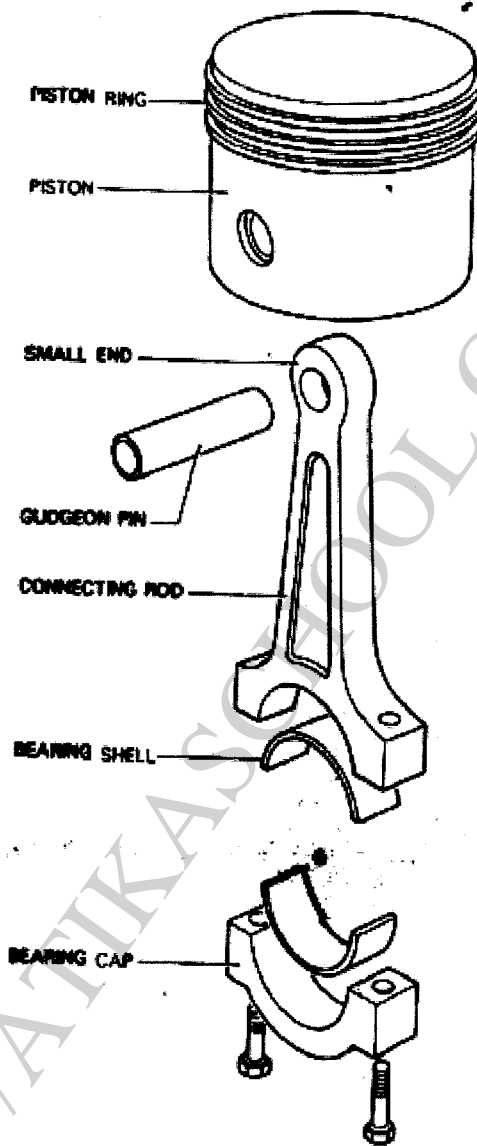


4.20.2 Power Mechanics Paper 2 (447/2)

STATION 1



Sketching any 6 exploded parts	(6 x 1)	(6 marks)
Correct labelling	(any 6 x ½)	(3 marks)
Proportionality		(1 mark)
	<b>TOTAL</b>	<b>10 marks</b>

### STATION 3

ITEM	NAME	MATERIAL	USE
A	Exhaust gasket	Asbestos with copper or aluminium	- Seals between engine block and exhaust manifold.
B	O-ring	Neoprene rubber	- Prevents leakage between shaft and housing.
C	Brake fluid	Vegetable oil	- Transmits braking force.
D	Grease	Mineral oil	- Lubrication of gears.
E	Oil strainer	Steel	- Filters oil.
	5 x □ = 2□ marks	5 x □ = 2□ marks	5 x 1 = 5 marks
<b>Total = 10 marks</b>			

### STATION 7

M/S

COMPONENT	DEFECT	EFFECT
V – Engine mount	Broken	Excessive vibration; Judder
W – Fuel filter	Clogged	Insufficient fuel delivery
X – Cylinder head gasket	Burnt or worn	No compression
Y – Distributor cap	Cracked	Engine won't start
Z – Inlet valve	Worn/bent	No compression
5 x □ = 2□ marks	5 x □ = 2□ marks	5 x 1 = 5 marks

